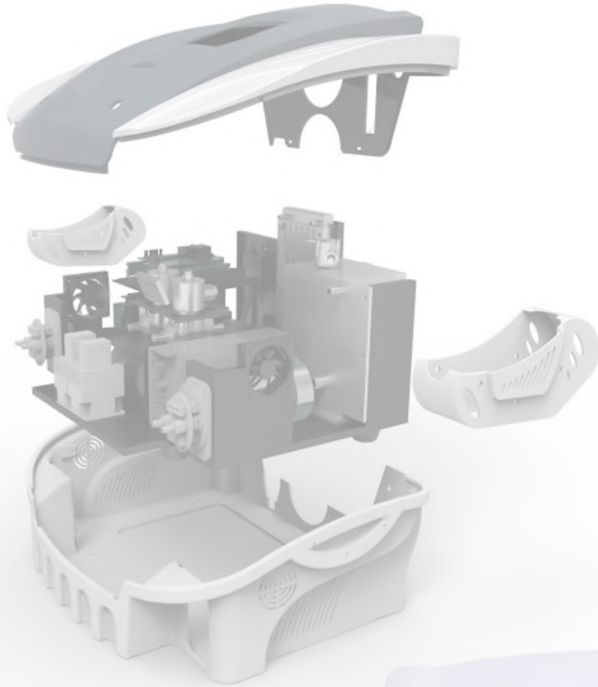


IPL SHR Hair Removal System





**Ttali C Approvatmed Machine**  
**TUV Medical CE Approved IPL Machine**  
**IPL SHR Hair Removal Skin Treatment Machine**

## ■ Application

- Permanent Hair Removal
  - Photo Rejuvenation
  - Pigmentation Correction
  - Vascular Therapy
  - Acne Treatment
  - Wrinkle Removal
- 

## Double Handpieces



**SHR:**

Spot size: 15\*50mm<sup>2</sup>  
Wavelength: 650-950nm for SHR  
Function: Fast Hair Removal, suitable for skin types I to V

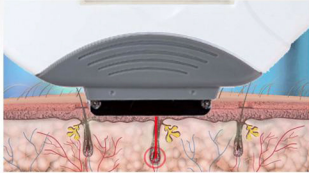


**IPL:**

Spot size: 12\*33mm<sup>2</sup>  
Function: Photo Rejuvenation, Pigmentation Correction, Vascular Therapy, Acne Treatment, Wrinkle Removal

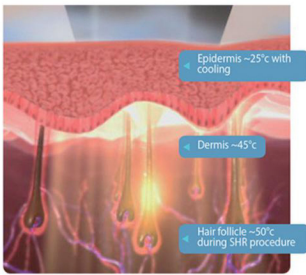


## ■ IPL SHR Work Theory



The IPL SHR unique gradual heating method effectively damages the hair follicles while avoiding injury to the surrounding skin. The sweeping In-motion delivery technique keeps the IPL in constant motion ensuring full coverage.

Simultaneous contact cooling prevents burns and allows for more comfortable treatment and a specialized applicator allows you to treat large areas in less time.



Whether you have light, dark or tanned skin, coarse or fine hair, SHR hair removal solutions achieve maximum results for all areas of the body with treatments that are safe, quick and best of all-virtually painless.

## ■ Proven Clinical Results



Hair Removal



Hair Removal



Acne Removal



Pigmentation Removal



Vascular Removal



Skin Rejuvenation

A  
S  
T  
S  
E  
R  
V  
I  
C  
E  
A  
N  
D  
B  
E  
S  
T  
V  
A  
L  
U  
E

# Advantages



## Quality Assurance

- ▶ TUV Medical CE, CFDA and American FDA-cleared, ensure safe operating and excellent quality.

## Integrated Self-cooled FDP Handpiece

- ▶ Self-cooled system - pain free; Fast Delivery Pulse technology, up to 10Hz - shorten operating time; Different spot size - work on face or body conveniently.

## Germany Imported Xenon Lamp

- ▶ Germany Heraeus Xenon Lamp to ensure stable energy output and longer life span of 800,000 flashes.

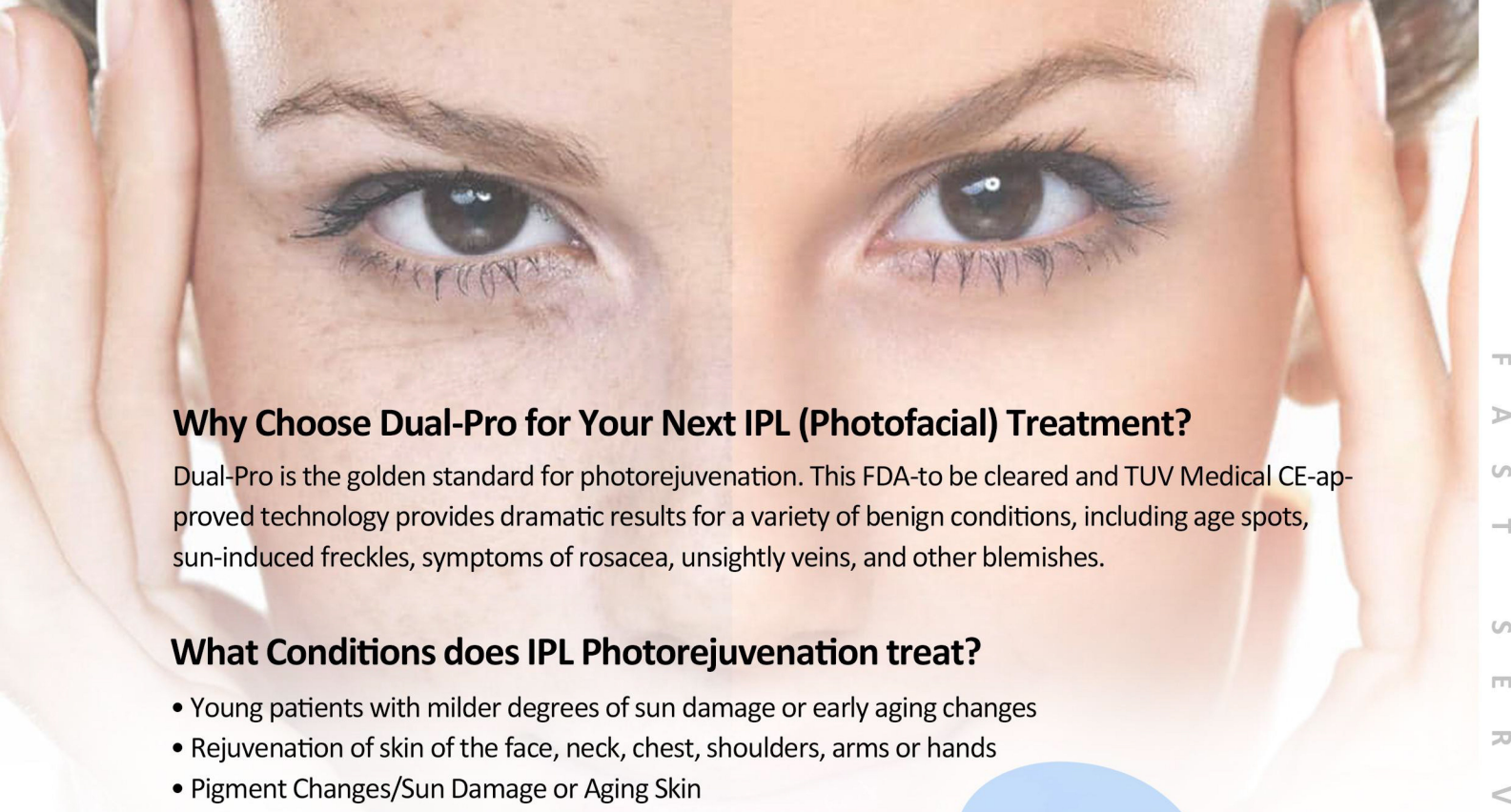
## Japan Imported Capacitors

- ▶ High performance Japan Nippon Capacitors 12000uF x 3 , ensure equal energy output of each pulse at the speed of 10 shots per second.

## Intelligent Software

- ▶ Simple mode for beginners, can get Pre-set parameters automatically according to skin types, hair density, colors and thickness.

Professional mode for experts, can set different parameters according to the patients.



## Why Choose Dual-Pro for Your Next IPL (Photofacial) Treatment?

Dual-Pro is the golden standard for photorejuvenation. This FDA-to be cleared and TUV Medical CE-approved technology provides dramatic results for a variety of benign conditions, including age spots, sun-induced freckles, symptoms of rosacea, unsightly veins, and other blemishes.

## What Conditions does IPL Photorejuvenation treat?

- Young patients with milder degrees of sun damage or early aging changes
- Rejuvenation of skin of the face, neck, chest, shoulders, arms or hands
- Pigment Changes/Sun Damage or Aging Skin
- Ruddy Skin Appearances ("Dyschromia") - rosacea, redness of the chest and neck
- Enlarged Pores
- Fine Lines
- Telangiectasia (broken capillaries)
- Unwanted Freckles
- Hyperpigmentation or brown spots

## What to do Before your IPL Treatment:

- Avoid tanning and excessive sun exposure 4 weeks prior to your treatment.
- The treatment areas should be cleansed and all makeup or creams removed.
- Each treatment takes approximately 15 to 45 minutes depending on the size of the area treated.

## What to do After your IPL Treatment:

- A sunburn sensation is common. Cold packs may be used for ten minutes after your treatment.
- The skin may appear pink and flushed. This usually resolves after several hours.
- Age spots and melasma patches will darken over several days and either exfoliate off over 7 to 10 days or fade over several weeks.
- Striping is common in areas treated off the face, like the arms and chest, and require follow up treatment to even out the results.
- Gentle cleansing and sun protection are important while the skin is sensitive.
- It is very important to avoid tanning 4 weeks before and 4 to 6 weeks after your treatments.
- In general, there is little downtime with IPL. Occasional bruising and swelling may occur but is temporary and resolves over 3 to 7 days. You can resume normal activities immediately after your treatment.
- Gradual improvement will be noted over your course of treatments.

## ■ Technique Specification

IPL Peak Power	3500W
Wavelength	SHR 650nm-950nm; IPL 430/530/640-1200nm standard; 480/560/590/690/750-1200nm optional
Energy Density (Fluence)	1-26J/cm <sup>2</sup> (SHR), 1-60J/cm <sup>2</sup> (IPL)
Spot Size	15×50mm <sup>2</sup> (SHR), 12×33mm <sup>2</sup> (IPL)
Pulse Duration	1-15ms
Pulse	Single
Pulse Repetition Rate	1-10Hz (SHR)
Timer	1-30ms
Cooling	Air + Water + Sapphire contact cooling (-4°C~ +4°C)
Stand-by Working	Continuously for 10 hours
Display	8.4" True Color LCD Touch Screen
Net Weight	29KG
Dimensions (W x L x H)	55*46*40cm



### Company

Name : MEDI-TECH SOLUTIONS  
Email : meditechsolutions.mts@gmail.com

 D-12 Street No.1 South Anarkali, Opp. Janta Tent House,  
Delhi 110051. India

